

Shower trays OPTIMUS

Mineral marble shower tray with anti-slip surface



UV Resistant



Slip Resistant



Stain Resistant



Easy to Clean and Maintain



International Fire-spread Compliant



Models:

Shower tray OPTIMUS square

Shower tray OPTIMUS rectangular



Technical information

Material	Model	Dimension [cm]	Weight [kg]
mineral marble	square	80x80	33 kg
		90x90	42 kg
		100x100	52 kg
	rectangular	100x80	46 kg
		100x90	48 kg
		120x80	52 kg
		120x90	54 kg
		140x80	76 kg
		140x90	85 kg
		160x80	83 kg
160x90	93 kg		
Remark:	<ul style="list-style-type: none"> - drainage hole Ø90 - depth 2,0 cm - color: white, light beige and gray 		

Declared properties

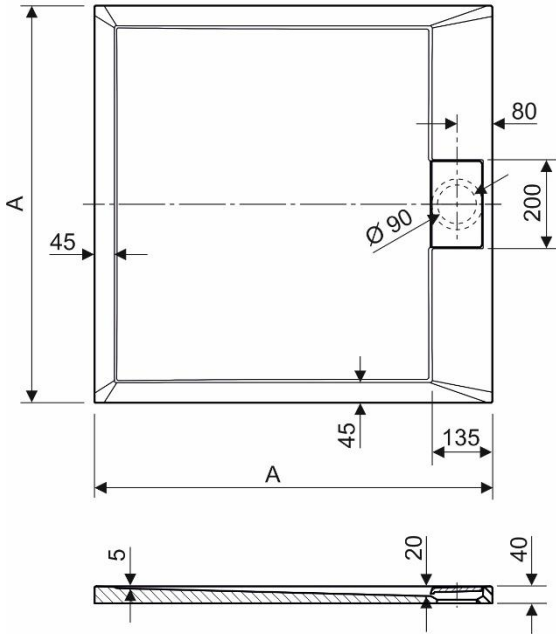
Tested properties	Requirement according to the European Standard	Confirmed level
- cleanability	EN 14527:2016 +A1:2018 – 6.2.1	Pass Class 2
- drainage of water	EN 14527:2016 +A1:2018 – 6.2.2	
- durability	EN 14527:2016 +A1:2018 – 6.3	

Analysis of possible risks according to EU Regulation 2023/988

Material	Recognized risk	Risk elimination or reducing process	Tests conducted	Relevant EU norm
Mineral marble	Fulfilling the requirements of the Norm	Testing the product according to the requirements of the relevant standards.	Aquaestil Plus Laboratory test report No. TTK-260320 from 20.03.2026.	HRN EN 14527:2016 +A1:2018
	Hygiene and health risk	According to its composition, the product is intended for household use, but not for water consumption. Potential Health Effects Additives in this product do not present a respiration hazard unless the product is ground to a powder of respirable size and the dust is inhaled.	Aquaestil Plus – Material Data Sheet – Mineral Marble	-
	Slipperiness of the surface	When getting in and out of the bathtub, hold on to a solid object or a handrail near the bathtub. Finishing the roughness of the surface by grinding or anti-slip coating.	Institute IGH d.o.o. 72530-OI-617-619-24 from 15.07.2023. Slip resistance of the floor covering	HRN EN 16165:2021, addition C (DIN 51097:1992)
	Flammability	Do not leave smoldering or hot objects on the products as they may damage the surface. The surface material can be combusted only with difficulty.	Aquaestil Plus – Material Data Sheet – Mineral Marble	-

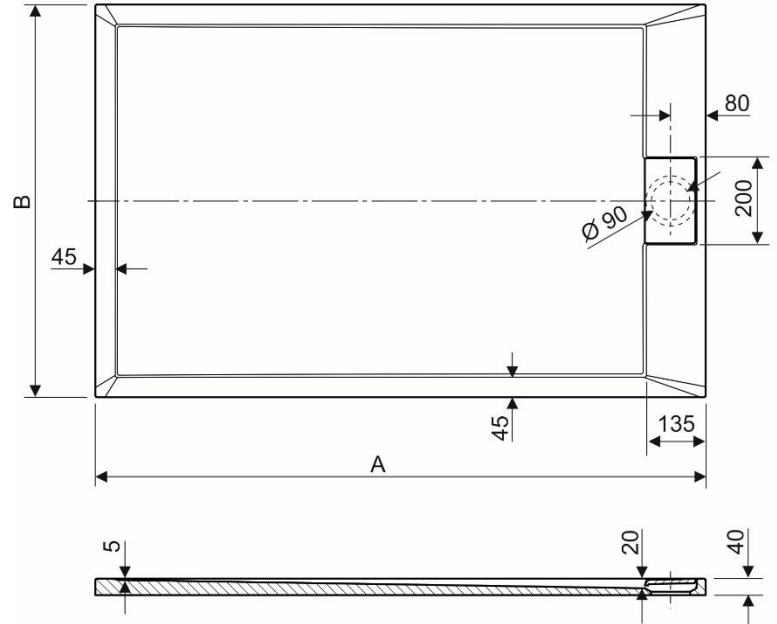
Technical drawing according to the model:

OPTIMUS SQUARE



MODEL	A (mm)
OPTIMUS 80x80	800
OPTIMUS 90x90	900
OPTIMUS 100x100	1000

OPTIMUS RECTANGULAR



MODEL	A (mm)	B (mm)
OPTIMUS 100x80	1000	800
OPTIMUS 100x90	1000	900
OPTIMUS 120x80	1200	800
OPTIMUS 120x90	1200	900
OPTIMUS 140x80	1400	800
OPTIMUS 140x90	1400	900
OPTIMUS 160x80	1600	800
OPTIMUS 160x90	1600	900