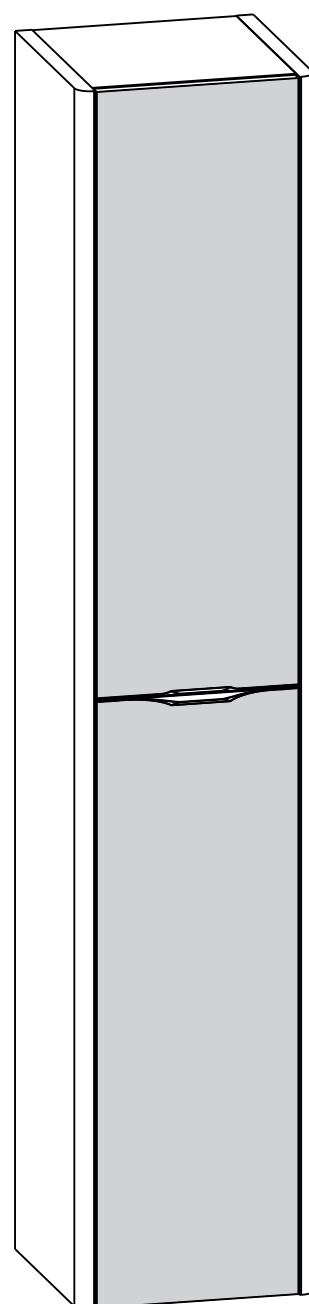
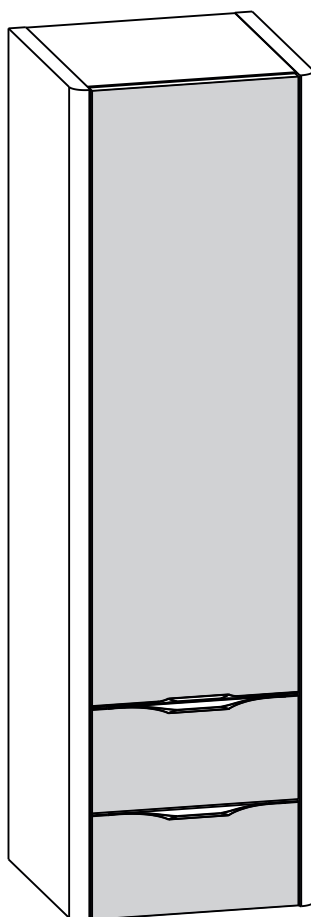
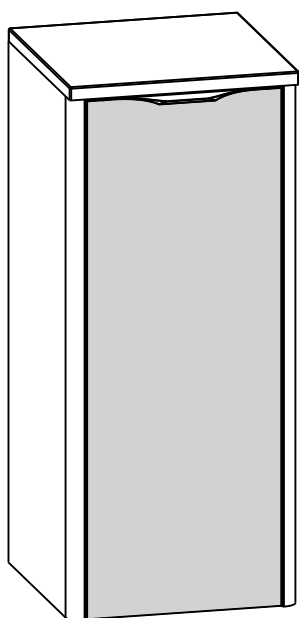



- HR UPUTE ZA MONTAŽU
- SLO NAVODILA ZA NAMESTITEV
- DE MONTAGEANLEITUNG
- ENG MOUNTING INSTRUCTIONS

ARDEA

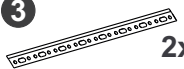
KOLONA
STRANSKA OMARICA
HOCHSCHRÄNKE
TALL CABINET

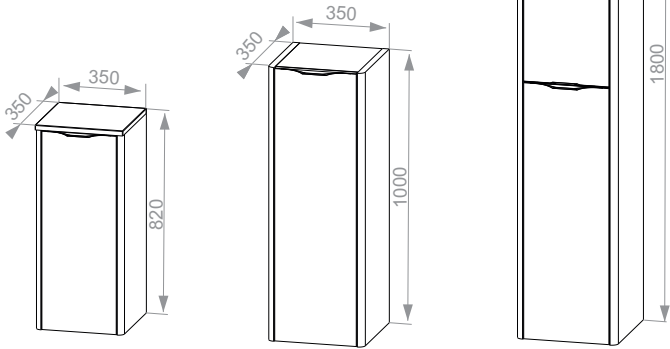


a Ardea 80/100/180

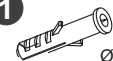
1  **4x**
Ø 8 mm

2  **4x**
Ø 5x50 mm

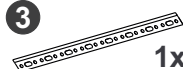
3  **2x**





b Ardea 120

1  **2x**
Ø 8 mm

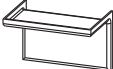
2  **2x**
Ø 5x50 mm

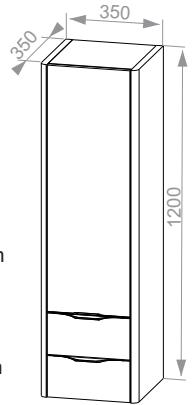
3  **1x**

8  **1x**
Ø 10 mm

9  **1x**
Ø 6x70 mm

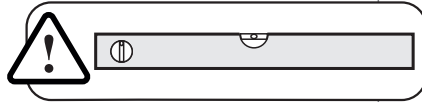
10  **1x**

11  **1x**



1a Ardea 80/100/180

1b Ardea 120

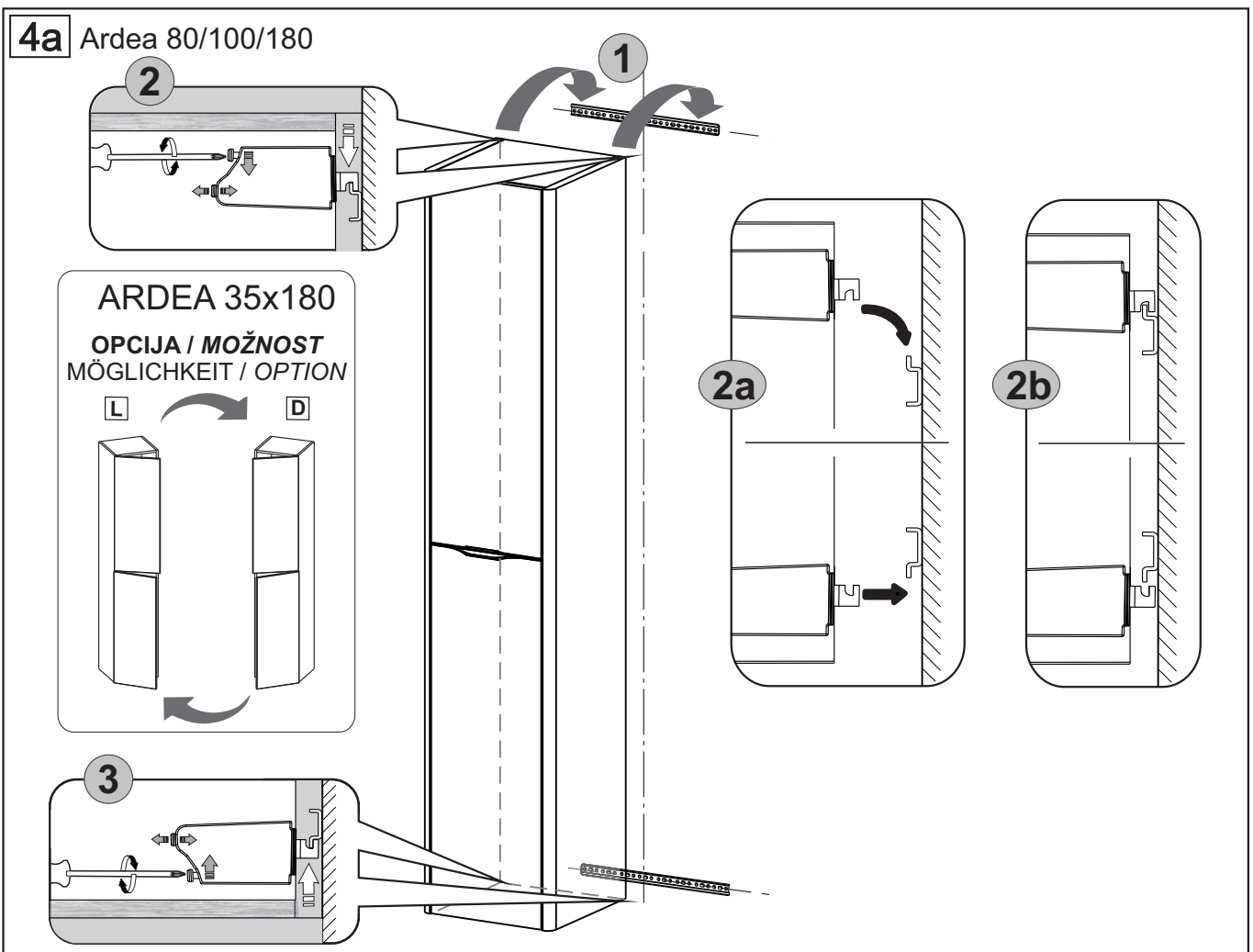
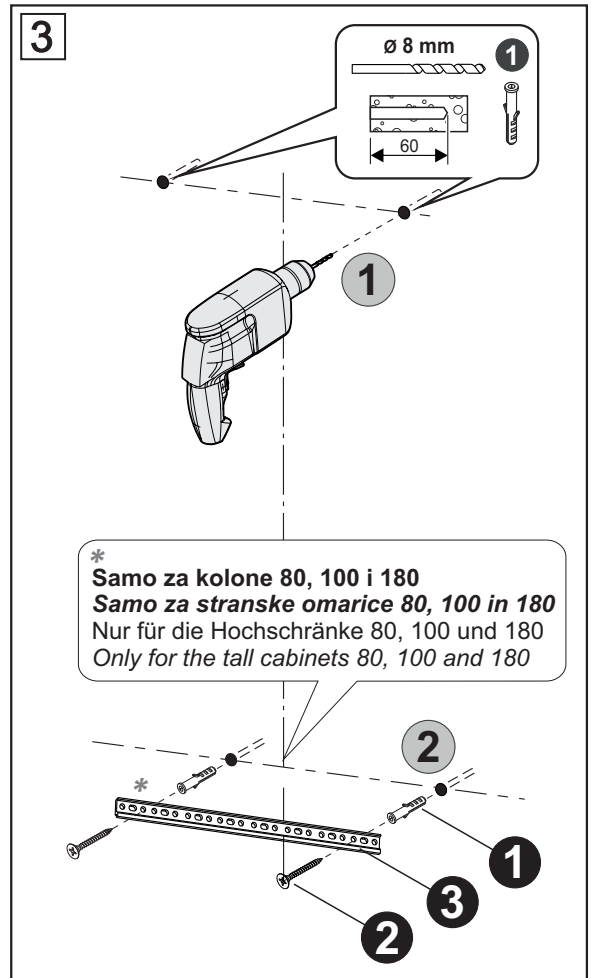
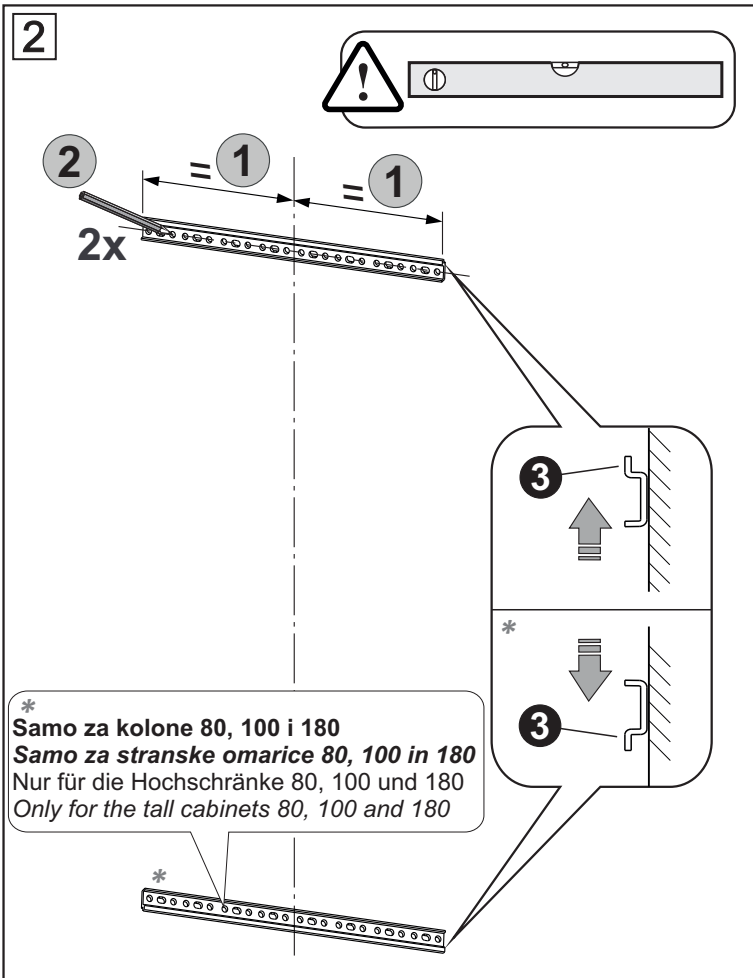


820 / 1000 / 1800

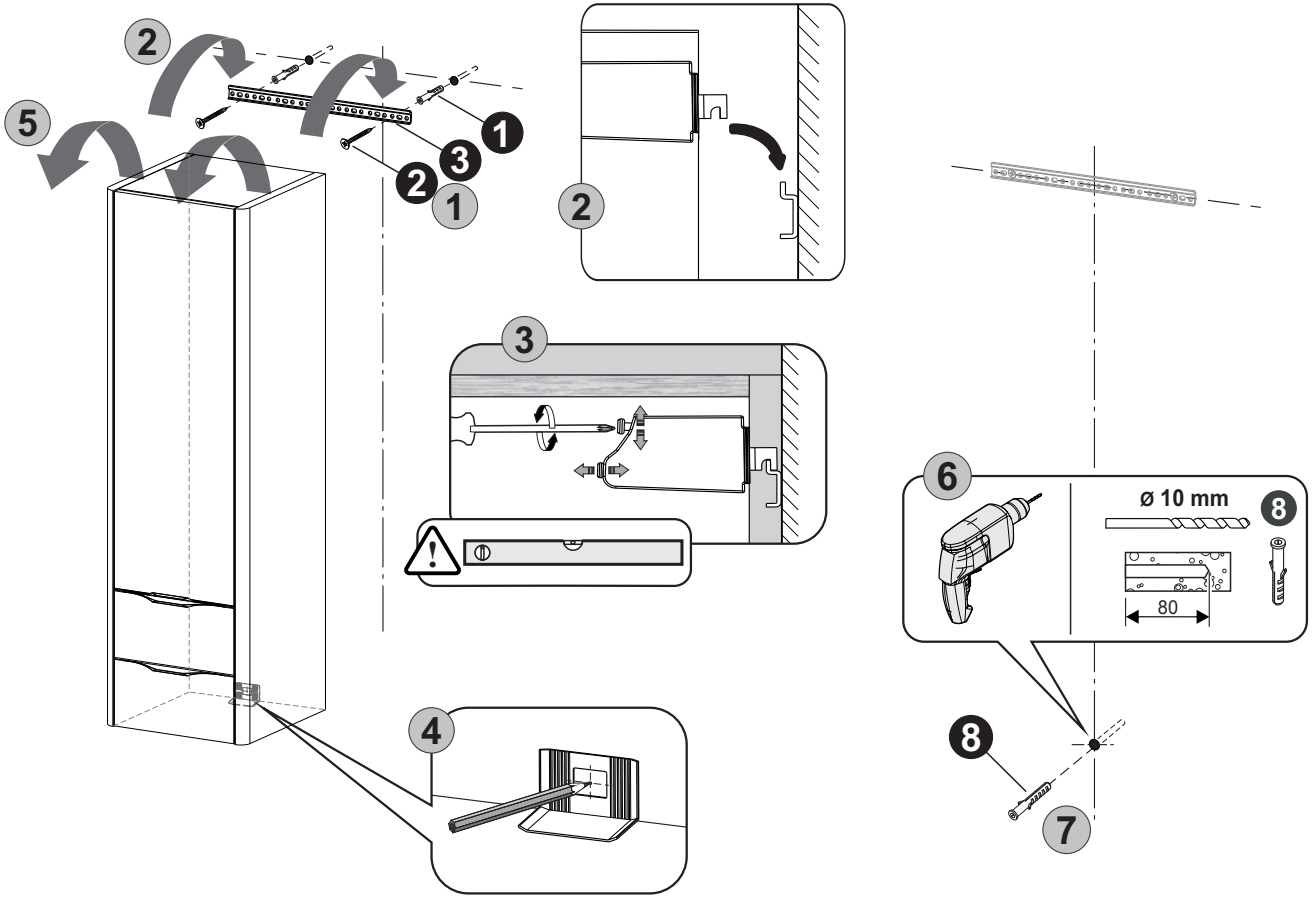
MYRA 80
Y=80 mm

MYRA 100
MYRA 180
Y=60 mm

1200



4b Ardea 120



5b Ardea 120

